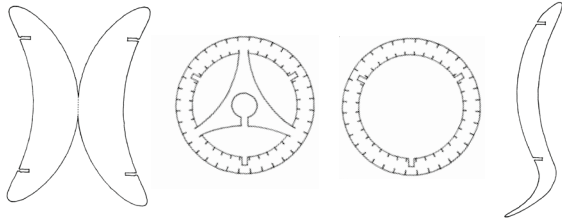


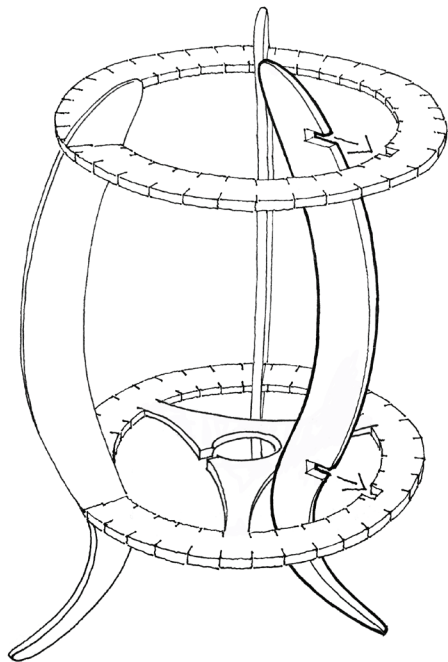
# nsc 06 assembly



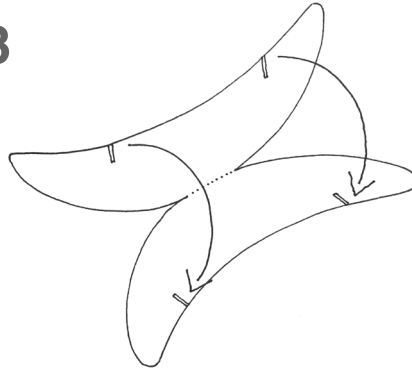
36 x petals (+ 2 spare)    1 x lower ring    1 x upper ring    3 x legs

1

Fit the legs into the rings using the slots provided. Make sure the legs are the right way up - protruding further beneath the lower ring than above the upper ring.

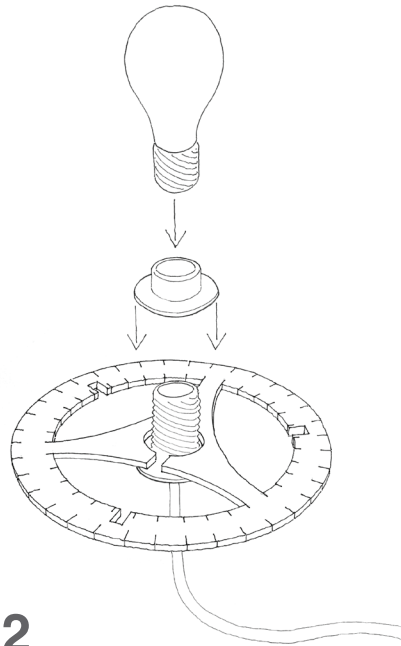


3



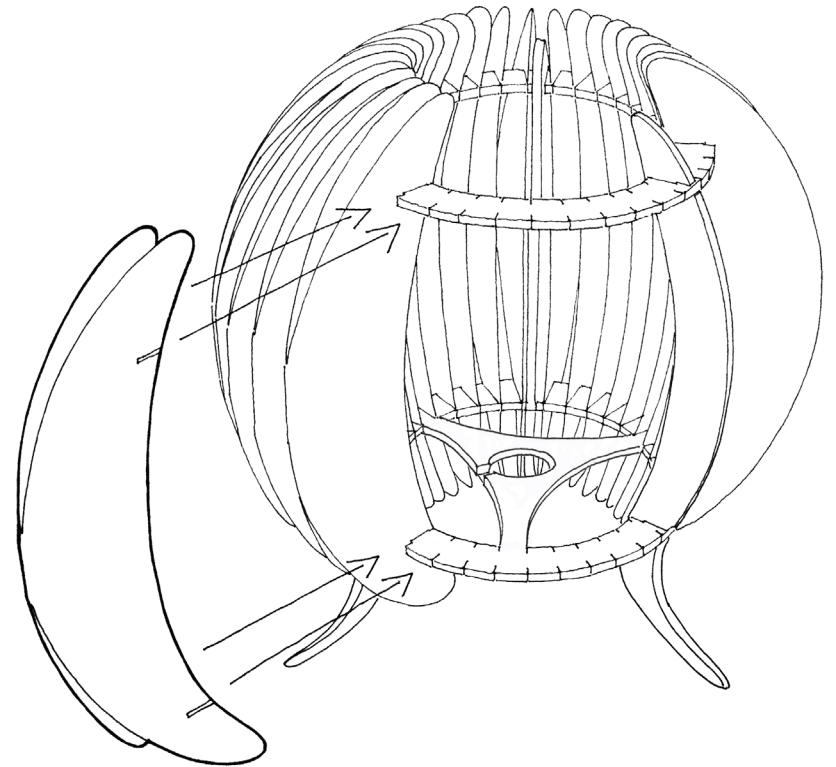
When handling the paper petals, it's best to start with clean, dry hands. Carefully fold the petals in half along the perforated line.

2



Fit your light fitting and bulb into the lower ring, as shown.

4



Work your way around the rings, slotting in the petals. Make sure each petal overlaps with the previous one by sharing the slots in the rings, as shown above. This can be fiddly at first but, the more patient you are, the better the result.

**CAUTION: ensure the bulb is positioned centrally within the shade WITHOUT touching the paper petals. Failure to ensure this may result in damage to the shade and even combustion.**